

Supported by The Royal Air Force (RAF)

Air Activities Staged Activity Badge

Select a stage: 1 2 3 4 5 6



Activity: Paper Helicopter

You will need:

Sheet of A4 paper or card
Pen
Ruler
Scissors

Instructions:

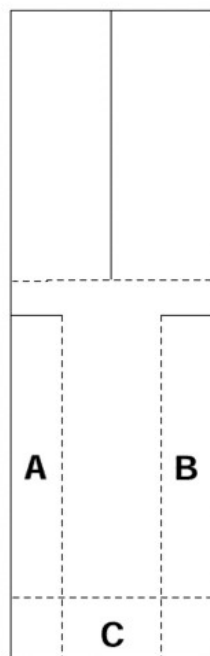
1. Cut on solid black lines.
Fold on dashed lines.

2. Fold A and B
to middle.

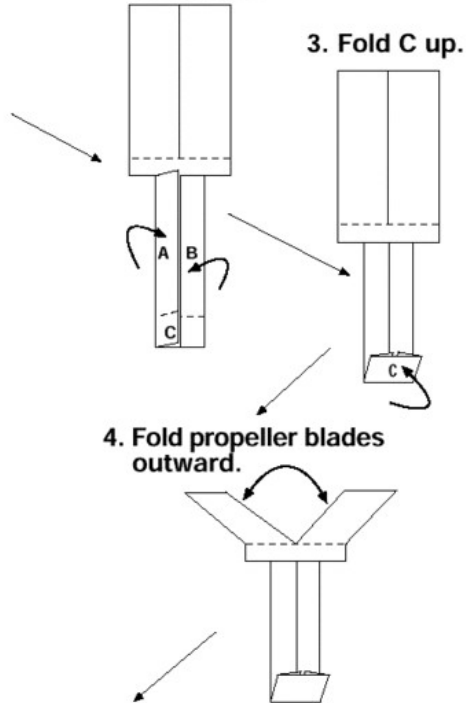
3. Fold C up.

4. Fold propeller blades
outward.

5. Test fly by dropping
from over your head.



Paper Helicopter
Pattern



Risk Assessment

Who is at risk?	Beavers
What are the risks?	Cuts using scissors
How can the risks be minimized?	Adequate adult supervision